



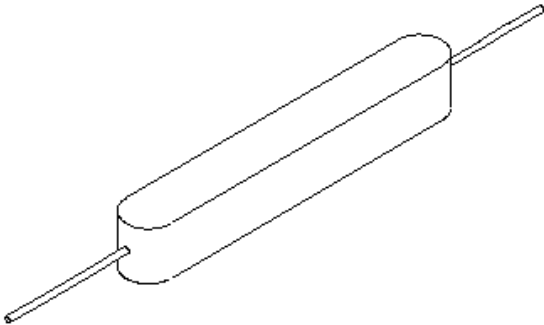
180 Lafayette Road
 North Hampton, NH 03862-2448
 PH: 603-964-3165
 FX: 603-964-3168
 WWW.PDEELECTRONICS.COM

Rectifier Assembly

Ultra Fast Recovery High Voltage HVUFS Series

- QUICK REFERENCE DATA**
- $V_R = 2500 - 25000$ VOLTS
 - $I_F = 1.75 - 2.0$ AMPS
 - $I_R = 5 \mu$ AMPS
 - $I_{FSM} = 150$ AMPS

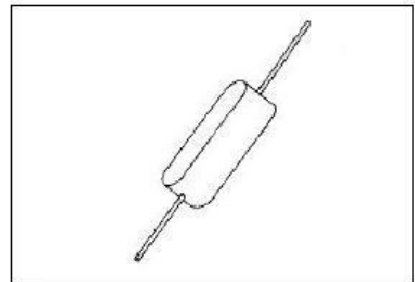
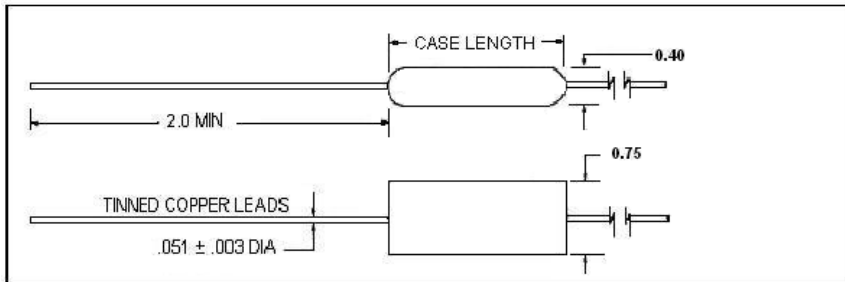
- FEATURES**
- High Voltage
 - Fast Recovery
 - Glass Passivated Junctions
 - Low Reverse Leakage Current
 - Low Forward Voltage Drop
 - Corona Free Construction



ELECTRICAL CHARACTERISTICS				ABSOLUTE MAXIMUM RATINGS				
Part Number	Peak Inverse Voltage	Average Rectified Current $I_{F(AV)}$	1 Cycle Surge Current I_{FSM} $t_p = 8.3mS$	Reverse Recovery Time*	Maximum Reverse Leakage Current $I_R @ V_{RWM}$	Maximum Forward Voltages $V_F @ I_F$		Case Length $\pm .030''$
		@ $T_A = 55^\circ C$	@ $T_A = 25^\circ C$	@ $T_A = 25^\circ C$	@ $T_A = 25^\circ C$	@ $T_A = 25^\circ C$		
	Volts	Amps	Amps	nSec	μA	Volts	Amps	Inches
HVUFS2500	2500	2.0	150	75	5.0	4.2	2.0	1.5
HVUFS5000	5000	2.0	150	75	5.0	7.0	2.0	2.5
HVUFS7500	7500	2.0	150	75	5.0	11.2	2.0	3.5
HVUFS10000	10000	1.75	150	75	5.0	14.0	1.75	4.5
HVUFS12500	12500	1.75	150	75	5.0	18.2	1.75	5.5
HVUFS15000	15000	1.75	150	75	5.0	21.0	1.75	6.5
HVUFS20000	20000	1.75	150	75	5.0	28.0	1.75	6.5
HVUFS25000	25000	1.75	150	75	5.0	35.0	1.75	6.5

*Measured in discrete devices prior to assembly. $I_F = .5A$, $I_R = 1A$, $I_{RR} = .25A$

MECHANICAL CHARACTERISTICS



TEMPERATURE RATINGS

Operating Temperature Range.....	-55°C to +150°C
Storage Temperature Range.....	-55°C to +150°C

Specifications subject to change without notice to ensure a better product
PD&E Electronics 180 Lafayette Rd. North Hampton, NH 03862
 Ph: (603) 964-3165 Fx: (603) 964-3168 Web: WWW.PDEELECTRONICS.COM